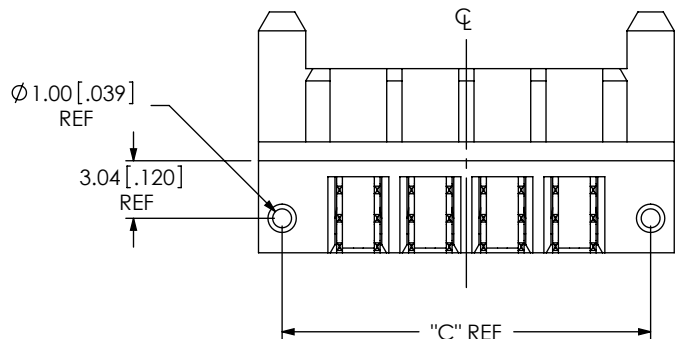
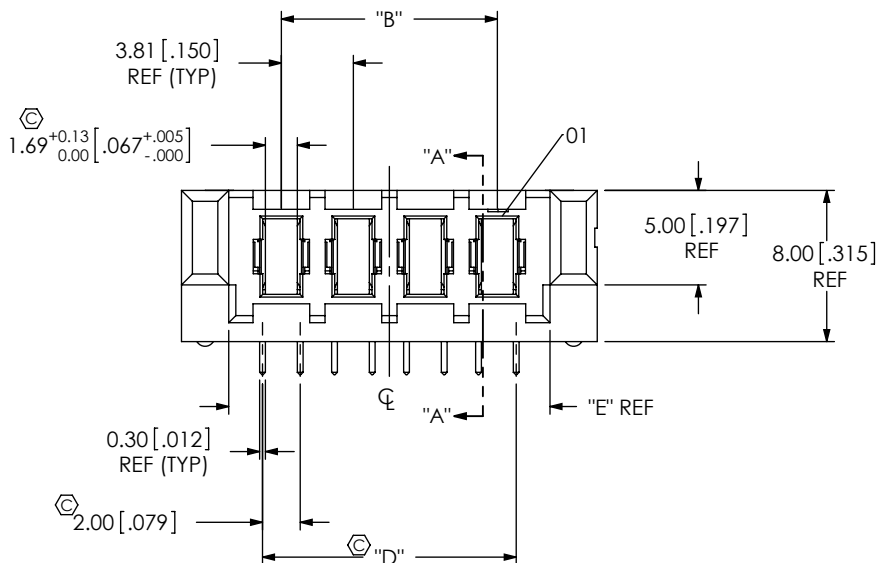
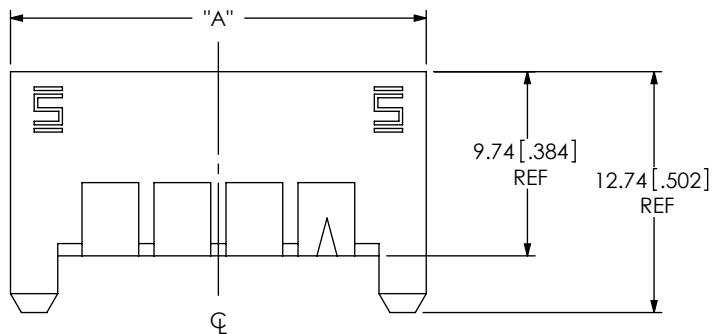


DESIGNED & DIMENSIONED
IN MILLIMETERS [INCHES]

FIG. 1
(UPS-04-01-X-RA SHOWN)



UPS-XX-01-XX-X-RA-XX-XX ^C

No OF POSITIONS
-02: 2 POSITIONS
-04: 4 POSITIONS
-06: 6 POSITIONS
-08: 8 POSITIONS

OPTION
TAPE & REEL
(SEE NOTE 7)

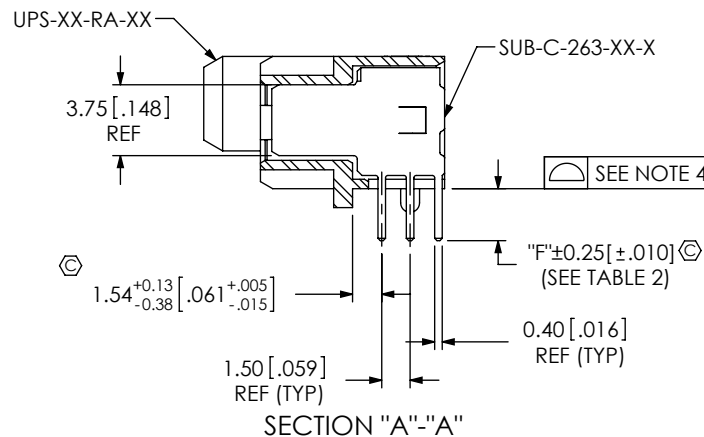
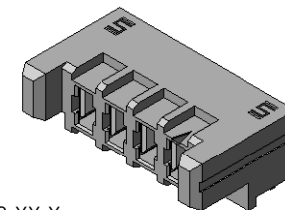
LEAD STYLE
-01

OPTION
-LC: LOCKING CLIP

RIGHT ANGLE

TAIL LENGTH
-01: FOR 1.57 [.062] THICK PCB
(USE SUB-C-263-01-X) (SEE FIG. 1)
-02: FOR 2.36 [.093] THICK PCB
(USE SUB-C-263-02-X) (SEE FIG. 2)

PLATING
-L: (SEE TABLE 3)
-T: (SEE TABLE 3)



^C

PART NUMBER	"A"	"B"	"C"	"D"	"E"
UPS-02-XX-X-RA-XX	14.38 [.566]	3.81 [.150]	11.88 [.468]	5.82 [.229]	9.38 [.369]
UPS-04-XX-X-RA-XX	22.00 [.866]	11.43 [.450]	19.50 [.768]	13.44 [.529]	17.00 [.669]
UPS-06-XX-X-RA-XX	29.62 [1.166]	19.05 [.750]	27.12 [1.068]	21.06 [.829]	24.62 [.969]
UPS-08-XX-X-RA-XX	37.24 [1.466]	26.67 [1.050]	34.74 [1.368]	28.68 [1.129]	32.24 [1.269]

NOTES:

1. ^C REPRESENTS A CRITICAL DIMENSION.
2. BURR ALLOWANCE: 0.038 [.0015] MAX.
3. MINIMUM PUSHOUT FORCE: 4.5N [1.0 LB].
4. MAXIMUM BOW: .15 [.006].
5. MINIMUM -LC PULL OUT FORCE: 2.23 N [0.5LB].
6. NOTE DELETED.
7. PARTS TO BE PACKAGED IN TUBES UNLESS OTHERWISE STATED.

TAIL LENGTH	"F"	SUB-C-263-XX-X
-01	2.82 [0.111]	SUB-C-263-01-X
-02	3.58 [0.141]	SUB-C-263-02-X

UNLESS OTHERWISE SPECIFIED,
DIMENSIONS ARE IN MILLIMETERS.
TOLERANCES ARE:
DECIMALS ANGLES
X.X: ±0.3 [.01] 2°
X.XX: ±0.13 [.005]
X.XXX: ±0.051 [.0020]

PROPRIETARY NOTE
THIS DOCUMENT CONTAINS INFORMATION
CONFIDENTIAL AND PROPRIETARY TO
SAMTEC, INC. AND SHALL NOT BE REPRODUCED
OR TRANSFERRED TO OTHER DOCUMENTS OR
DISCLOSED TO OTHERS OR USED FOR ANY
PURPOSE OTHER THAN THAT WHICH IT WAS
OBTAINED WITHOUT THE EXPRESSED WRITTEN
CONSENT OF SAMTEC, INC.

MATERIAL: DO NOT SCALE DRAWING
INSULATOR: LCP, COLOR: BLACK
TERMINAL: BeCu
LOCKING CLIP: PHOS BRONZE

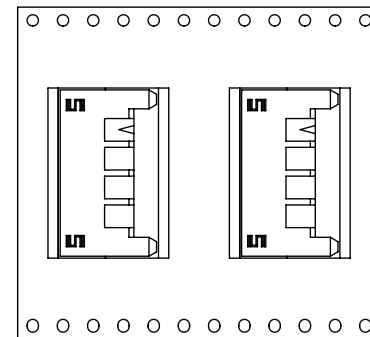
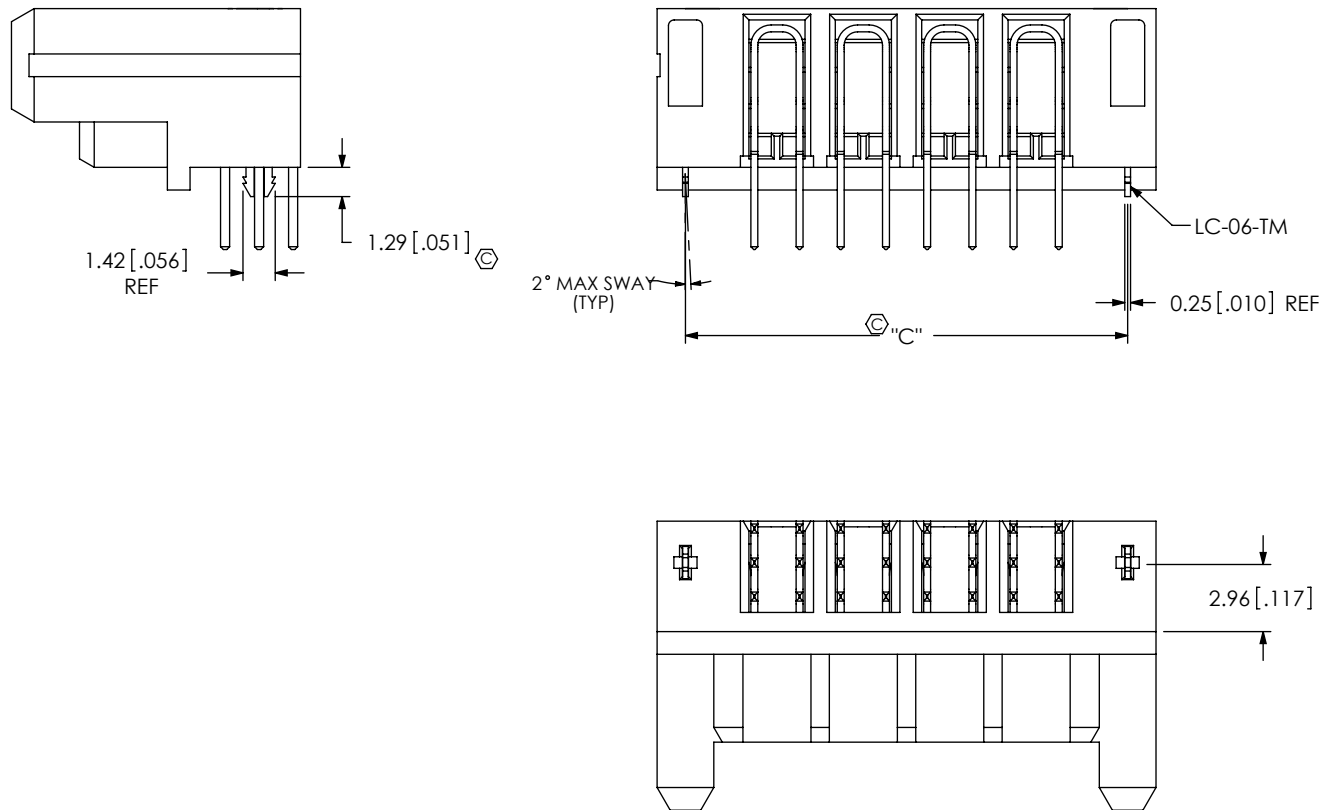
SHEET SCALE: 2:5:1



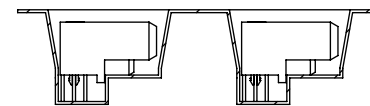
520 PARK EAST BLVD., NEW ALBANY, IN 47150
PHONE: 812-944-6733 FAX: 812-948-5047
e-Mail: info@SAMTEC.com code: 55322

DESCRIPTION:
UPS-RA, ASSEMBLY
DWG. NO.
^C UPS-XX-01-XX-X-RA-XX-XX
BY: B RAY 10/09/2008 SHEET 1 OF 2

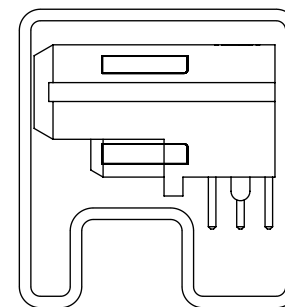
FIG. 2
(UPS-04-01-X-RA-LC SHOWN)
(SAME AS FIG. 1, DIFFERENT AS SHOWN)



USER DIRECTION OF UN-REELING
POCKET NOT DETAILED



PACKAGING VIEW



PACKAGING TUBE VIEW

TABLE 3

PLATING	POWER PIN CONTACT AREA	POWER PIN TAIL
-L	LIGHT GOLD	MATTE TIN
-T	MATTE TIN	MATTE TIN

TUBE TABLE

TAIL LENGTH	TUBE	PLUG
ALL	PT-1-24-01-40	TP-13

PROPRIETARY NOTE

THIS DOCUMENT CONTAINS INFORMATION CONFIDENTIAL AND PROPRIETARY TO SAMTEC, INC. AND SHALL NOT BE REPRODUCED OR TRANSFERRED TO OTHER DOCUMENTS OR DISCLOSED TO OTHERS OR USED FOR ANY PURPOSE OTHER THAN THAT WHICH IT WAS OBTAINED WITHOUT THE EXPRESSED WRITTEN CONSENT OF SAMTEC, INC.

DO NOT SCALE DRAWING

SHEET SCALE: 2:1

samtec

520 PARK EAST BLVD, NEW ALBANY, IN 47150
PHONE: 812-944-6733 FAX: 812-948-5047
e-Mail: info@SAMTEC.com code: 55322

DESCRIPTION:

UPS-RA, ASSEMBLY

DWG. NO.

UPS-XX-01-XX-X-RA-XX-XX

BY: B RAY

10/09/2008

SHEET 2 OF 2