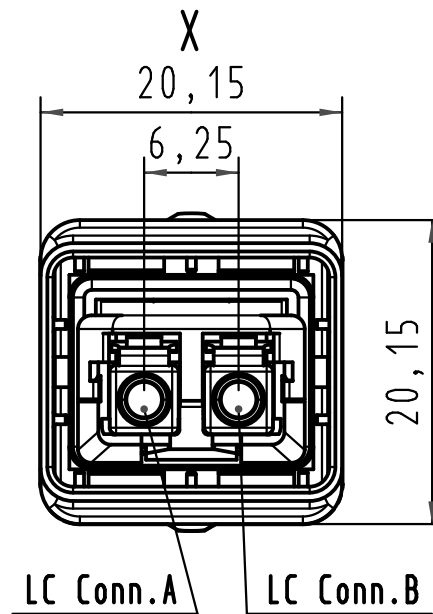
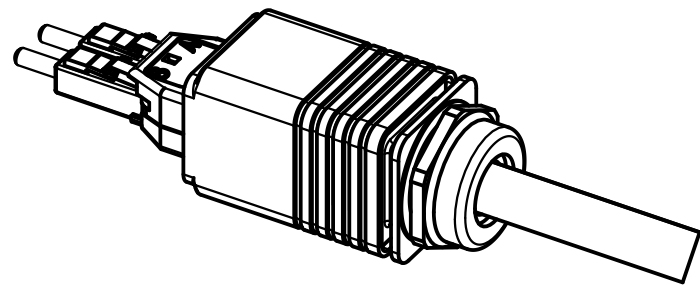
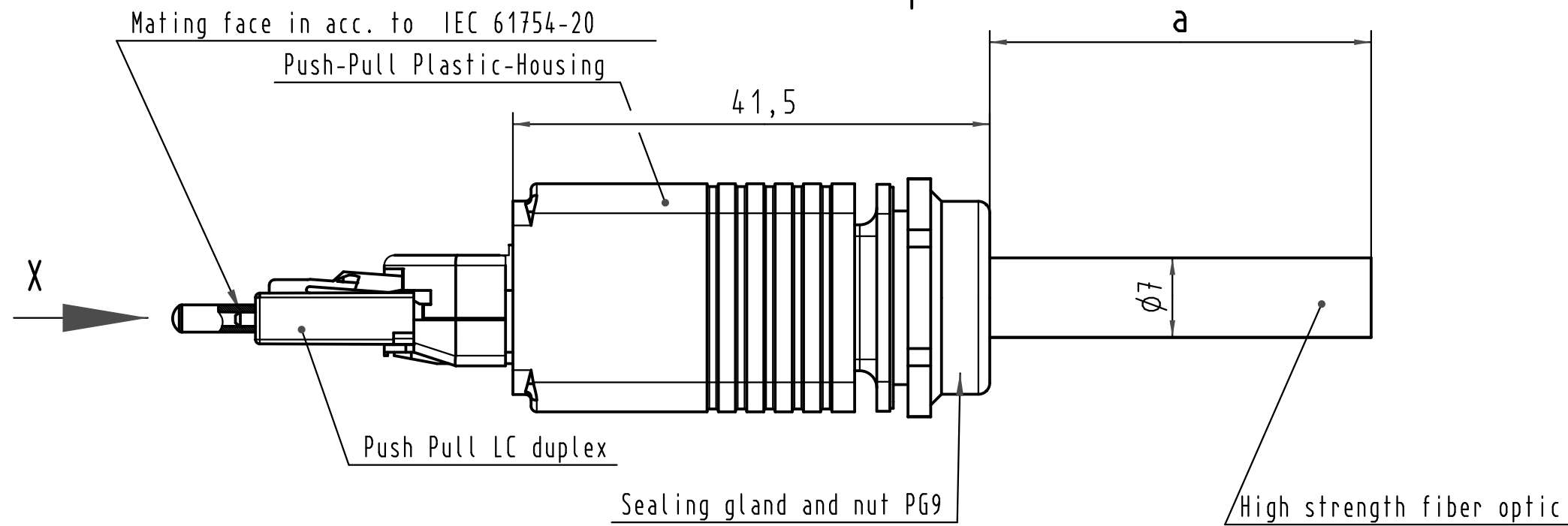


Alle Rechte vorbehalten/ All rights reserved



Loading-Plan

- A — blue
- B — orange

-Protection level: IP67/65
 -Temperature range: -40°C ...+70°C

9	High strength fiber optic breakout cable multimode	33 58 111 300 0001	300 m
8	High strength fiber optic breakout cable multimode	33 58 111 100 0001	100 m
7	High strength fiber optic breakout cable multimode	33 58 111 060 0001	60 m
6	High strength fiber optic breakout cable multimode	33 58 111 050 0001	50 m
5	High strength fiber optic breakout cable multimode	33 58 111 040 0001	40 m
4	High strength fiber optic breakout cable multimode	33 58 111 020 0001	20 m
3	High strength fiber optic breakout cable multimode	33 58 111 010 0001	10 m
2	High strength fiber optic breakout cable multimode	33 58 111 005 0001	5 m
1	High strength fiber optic breakout cable multimode	33 58 111 001 0001	1 m

Cont No.	Type of cable	Part-No.	Dim. a
----------	---------------	----------	--------

All Dimensions in mm Original Size DIN A 3			Techn. Character.			Nicht tolerierte Maß/Free size tolerances	
			Dat.	Name	Maßstab/Scale	Push Pull fiber optic assembly 1xPush Pull LC DUPLEX, plastic multimode, 62.5 μm	
			Detail.	05.08.08 MS			
			Insp.		2:1		
			Stand.				
EC00166	17.02.09	MR				TB 33 58 111 xxx 0001 Blatt/ page	
35025	10.11.08	MS					
35008							
Mod.	Dat.	Name	HARTING Electronics GmbH & Co. KG D-32339 ESPELKAMP			Sub.	Sub