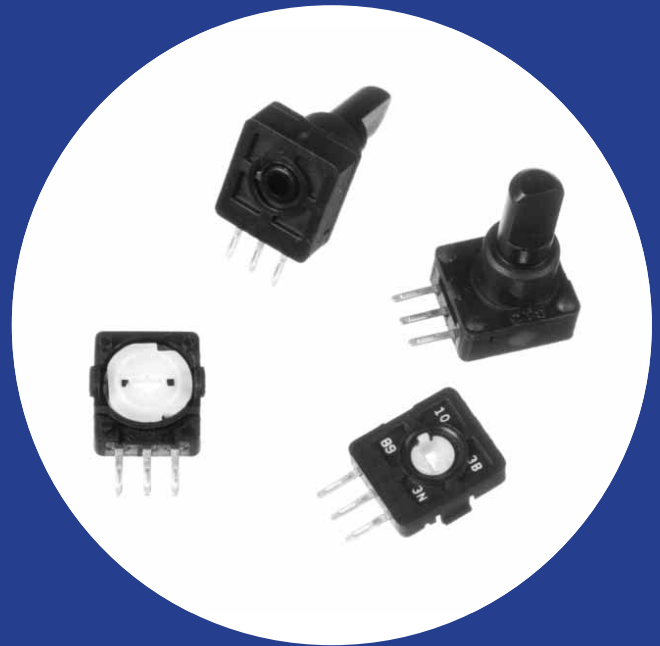


Long life, 9mm diameter, composition element, variable resistor

Features

- 1 million cycle life
- Miniature 9 mm size
- Multiple rotation angles available
- Low rotational torque
- Sturdy insert molded PC terminals
- Bushing mount or shaftless available
- Tap available



Electrical and Mechanical Specifications

Resistance Range

10 K ohms through 200 K ohms

Resistance Tolerance

Standard: $\pm 20\%$

Special: $\pm 10\%$ and $\pm 30\%$ available

Resistance Taper

Linear $\pm 5\%$

Insulation Resistance

100 megohms minimum @ 250 VDC

Operating Temperature

-10°C to $+70^{\circ}\text{C}$

Rotational Torque

3 to 10 gf-cm

Rotational Life

1,000,000 cycles

Power Rating

0.01 watt at 50°C derated to no load at 85°C

Maximum Operating Voltage

Maximum 50 VAC or 5 VDC

Angle of Rotation

Total Rotation - With Shaft: 180°

No Shaft: 360°

Effective Rotation: 38° , 40° , 50° , 60° , 70° , 85° , 90° or 110° available
(Typical joystick control use.)

Materials

Housing: UL 94V-2

Shaft / Bushing: UL 94V-2

Base UL flame class 94HB

Shaft Information

Flatted, molded shaft

Diameter: 3.96 mm or 5.0 mm,
depending on shaft trim

Mounting Information

Bushing mount (unthreaded)

Diameter: 7.00 mm

Length: 5.00 mm

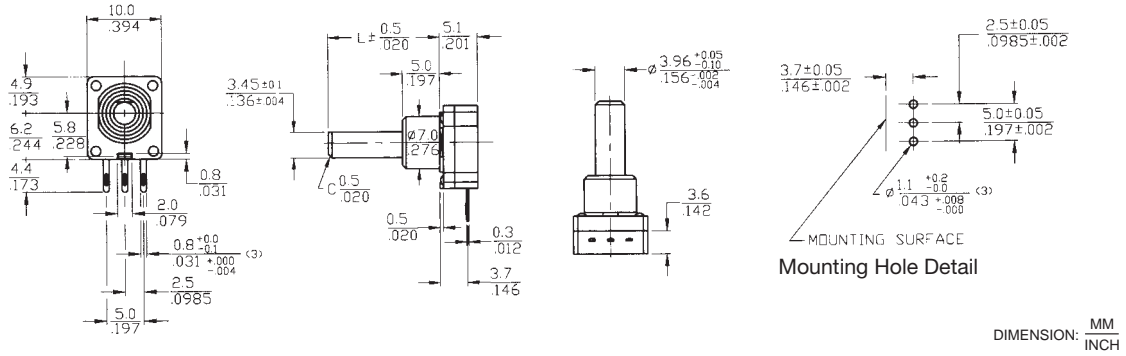
Tap Available

4° angle at 50% rotation optional

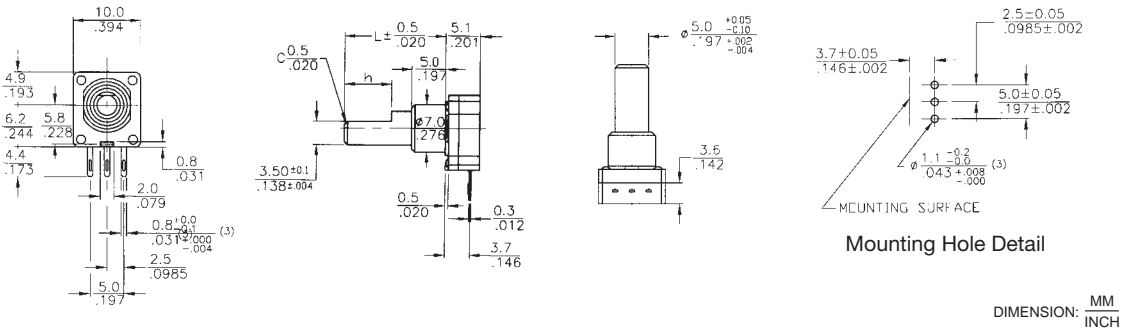
Other taps available - consult CTS

CTS SERIES 251

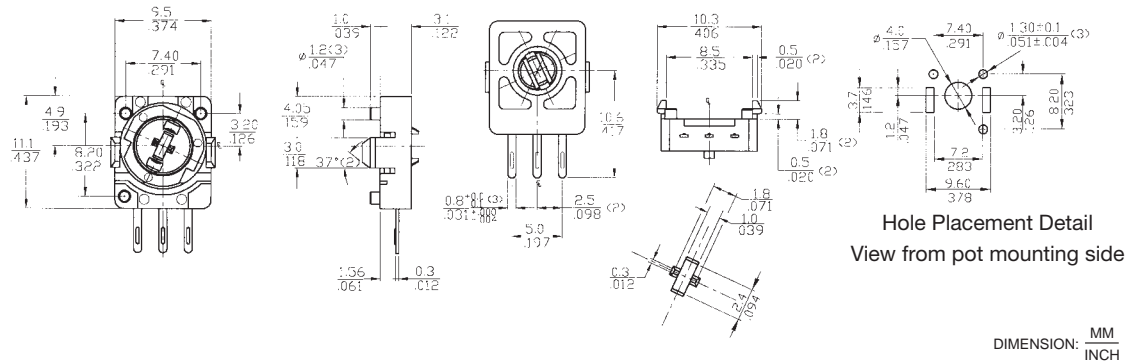
"T" Shaft Trim



"F" Shaft Trim



No Shaft



Order Information

Part Number Code For Ordering

251 **B** **00** **0** **254** **A** **1** **N** **1**

Terminal Type
 B-Straight P.C.

"L" Shafts Length
 00 - No shaft
 12 - 12 mm
 15 - 15 mm

Shafts Trim
 0 - No shaft
 F - 5 mm dia flatted thickness 3.5 mm
 T - 4 mm dia flatted thickness 3.45 mm

Resistance Tol
 A: ± 10%
 B: ± 20%
 C: ± 30%

Resistance Code Examples

Code	Resistance
252	2.5K
253	25K
254	250K
255	2.5Meg

Effective Angle
 1- 40°
 2- 50°
 3- 60°
 4- 38°
 5- 110°
 6- 85°
 7- 70°
 8-
 9- 90°

Specials
 1 - None
 B - W/bushing

Resistance Tap
 N: No center tap
 T: 4° tap at center

Order From:

CTS CORPORATION, ELECTROCOMPONENTS / 1601 Mishawaka Street / Elkhart, Indiana 46514
 North America Toll Free (888) 287-4690 / (219) 296-6700 / FAX: (219) 293-1240 <http://www.ctscorp.com>

CTS COMPONENTS TAIWAN, LTD. / 7, Central 6th Road (Chung Liu Road) / P.O. Box 26-20
 Kaohsiung Export Processing Zone / Kaohsiung, Taiwan, Rep. of China
 (07) 8216145 / FAX: (07) 8417642.8110040