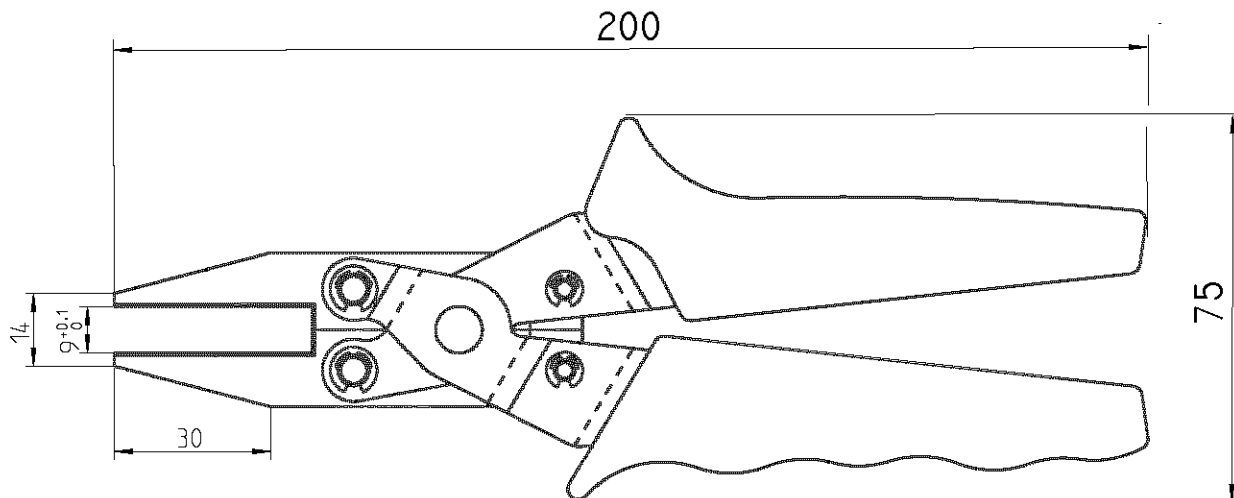


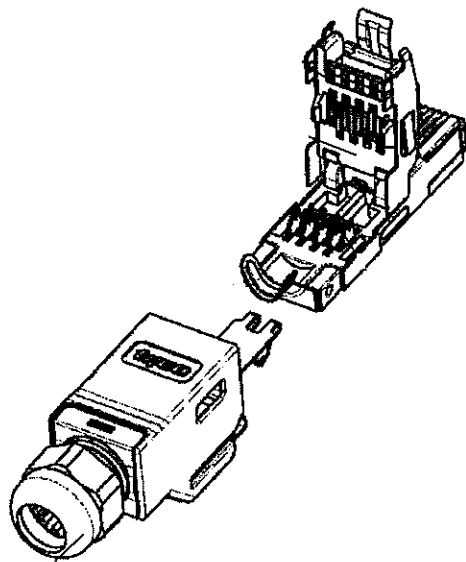
LOC	DIST	REVISIONS					
A1	00	P	LTR	DESCRIPTION	DATE	DWN	APVD
		A1		ECR-09-007877	15APR09	LS	LB

## HAND TOOL FOR INDUSTRIAL ETHERNET CONNECTORS RJ-45 CCP PLUG



Application of Connectors according  
to Application Specification 114-5402

### Application Parts



1554090-1	BULK PACKAGE IP 20 4P (100pc)
2069928-1	IP 20 4P
1903526-1	IP 20 4P
1903527-1	IP 20 8P
1871283-1	CORE 4P ASSY
1871295-1	CORE 8P ASSY
1871739-1	CASE ASSY IP20
PN	Description

2008

RELEASED FOR PUBLICATION

THIS DRAWING IS UNPUBLISHED.

BY TYCO ELECTRONICS CORPORATION. ALL RIGHTS RESERVED.

© COPYRIGHT 2008

DIMENSIONS:		DWN	04 JUN 2008	MATERIAL	-	FINISH	-
mm		Ch. Witt	-	Tyco Electronics Tyco Electronics AMP GmbH 64625 Bensheim (Germany)			
TOLERANCES UNLESS OTHERWISE SPECIFIED:		CHK	-				
0 PLC	±	APVD	-	NAME HAND TOOL FOR INDUSTRIAL ETHERNET RJ-45 CCP PLUG			
1 PLC	±	PRODUCT SPEC	-				
2 PLC	±	APPLICATION SPEC	-	SIZE	A 4	CAGE CODE	00779
3 PLC	±	WEIGHT	350 g	DRAWING NO	C=5-1579002-4		RESTRICTED TO
4 PLC	±	CUSTOMER DRAWING		SCALE		1:1	SHEET 1 OF 1
ANGLES	±°			REV		A1	