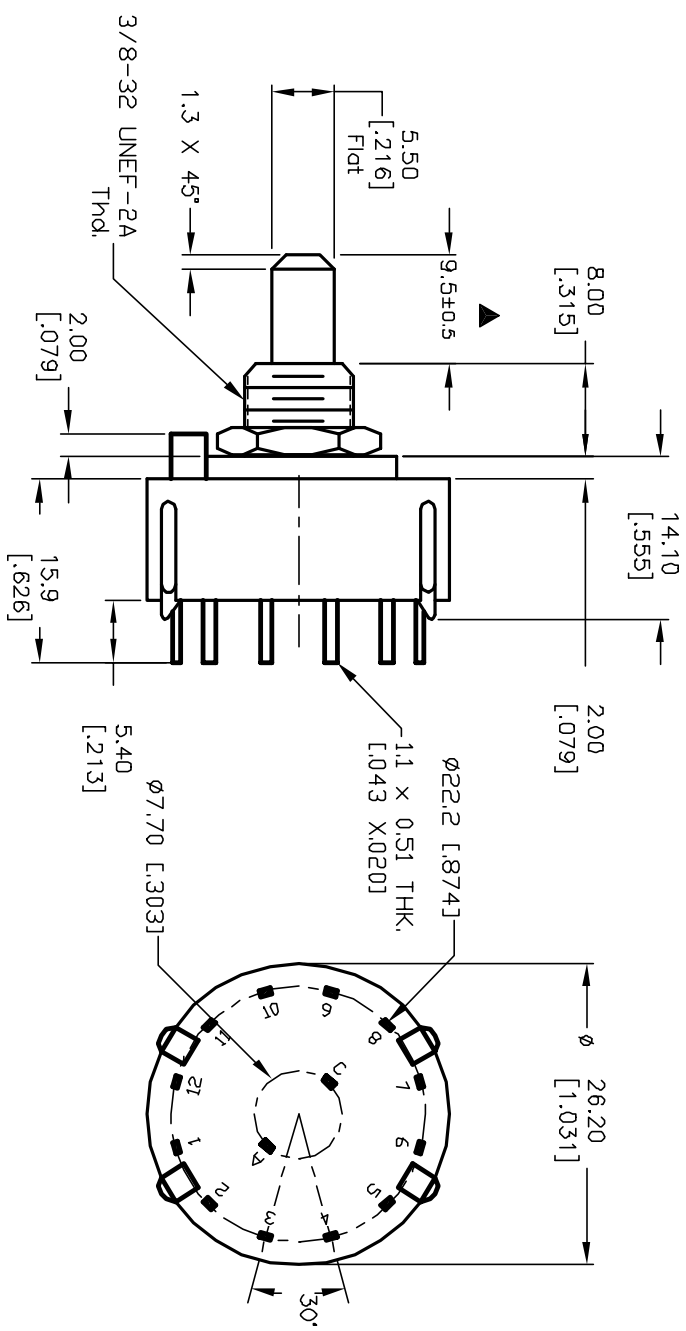
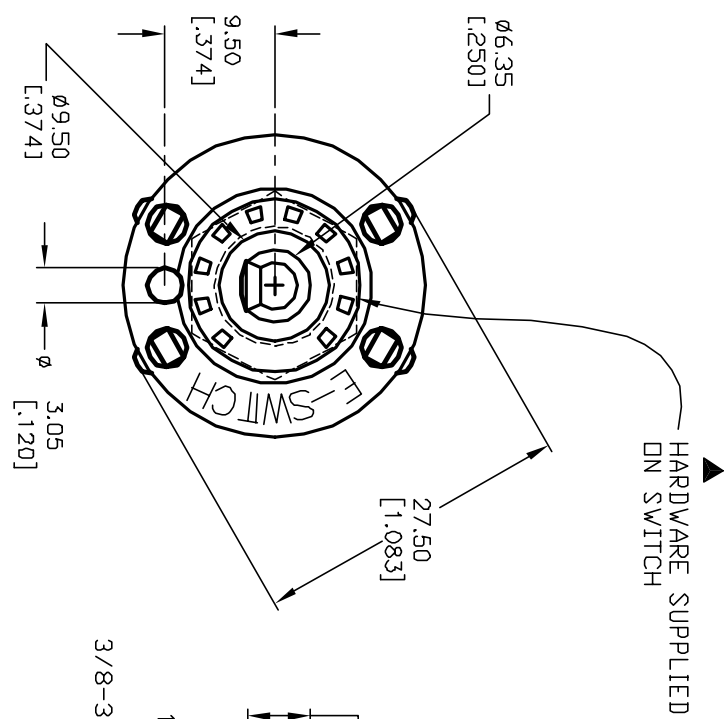
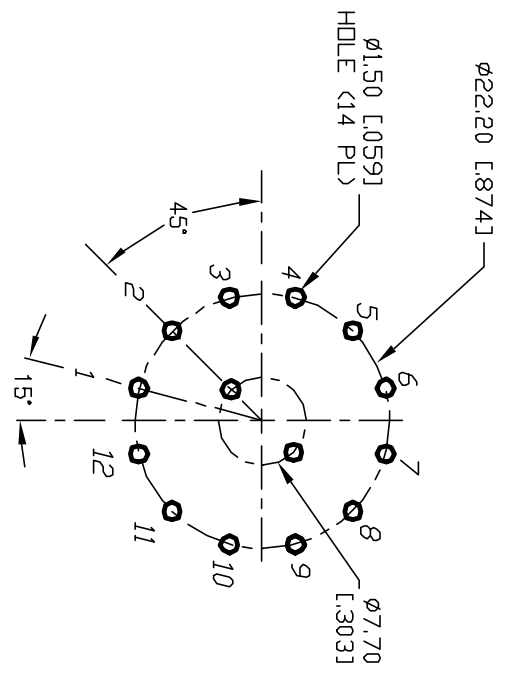
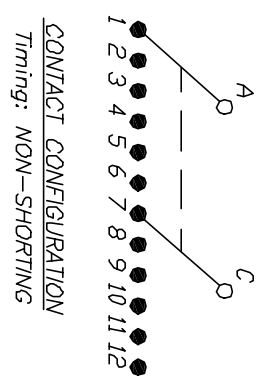


- NOTES:
1. ALL DIMENSION IN MM [INCH]
 2. GENERAL TOLERANCE: X.X=±0.4
X.XX=±0.25
 3. TERM. NOS. FOR REF. ONLY
 4. CONTACT RATING SWITCHING: 150mA, 250V AC/DC
350mA, 110V AC/DC
 5. CONTACT RATING (NON-SWITCHING) 5A
 6. OPERATING FORCE: 425±100 CM/STANDARD
 7. OPERATING TEMP: -30° to 85°C
 8. CIRCUIT DP: 6 POSITIONS, 30° INDEX.
 9. DIELECTRIC STRENGTH 1000V RMS min. @ SEA LEVEL
 10. DESIGNATE MAJOR DIMENSIONS
 11. HARDWARE SUPPLIED ON SWITCH - SEE BELOW
STOPRING, LOCKWASHER, & HEXNUT



| | | | | | | | | |
|--|--|---------|-------------------------|------|---------|--------------------------|---------|-----|
| B | | 12821 | REDRAWN | CJB | TITLE | KC-26-A (9.5mm)-01-N-P-S | | |
| A | | 11252 | RELEASED FOR PRODUCTION | RJC | SCALE | 1.5:1 | | |
| REV. | | ECN No. | DESCRIPTION | DATE | DATE | DR | DWG | REV |
| | | | | | 2/26/01 | RJC | G523730 | B |
| THE INFORMATION CONTAINED IN THIS DOCUMENT IS PROPRIETARY TO E-SWITCH AND IS NOT TO BE COPIED OR TRANSFERRED | | | | | | | | |

E-SWITCH®