

User's Guide

TSTFT5.7I#

Touch Panel

For product support, contact

Newhaven Display International
2511 Technology Drive, #101
Elgin, IL 60124

Tel: (847) 844-8795 Fax: (847) 844-8796

December 15, 2008

MODEL NO :

RECORDS OF REVISION

DOC. FIRST ISSUE

VERSION	DATE	REVISED PAGE NO.	SUMMARY
0	2008/8/1		First issue

1. General Specification

ITEM	STANDARD VALUE	UNIT
Outline dimension	125.48(L) x100.94(W) x 1.5± 0.1(T)	mm
View area	118.2 (L) x89.4(W)	mm
Active area	116.2 (L) x 87.4(W)	mm

2. Absolute Maximum Ratings

ITEM	SYMBOL	MIN.	TYP.	MAX.	UNIT
Operating Temperature	T _{OP}	-20	-	+70	☒
Storage Temperature	T _{ST}	-30	-	80	☒
Operating temperature		20		90	%RH
Storage temperature		20		90	%RH
Light transmission			80		%

3. Reliability

☒ Content of Reliability Test

Environmental Test			
Test Item	Content of Test	Test Condition	Applicable Standard
High Temperature storage	Endurance test applying the high storage temperature and operating test .	80☒ 120hrs	---
Low Temperature storage	Endurance test applying the high storage temperature for a long time.	-30☒ 120hrs	---

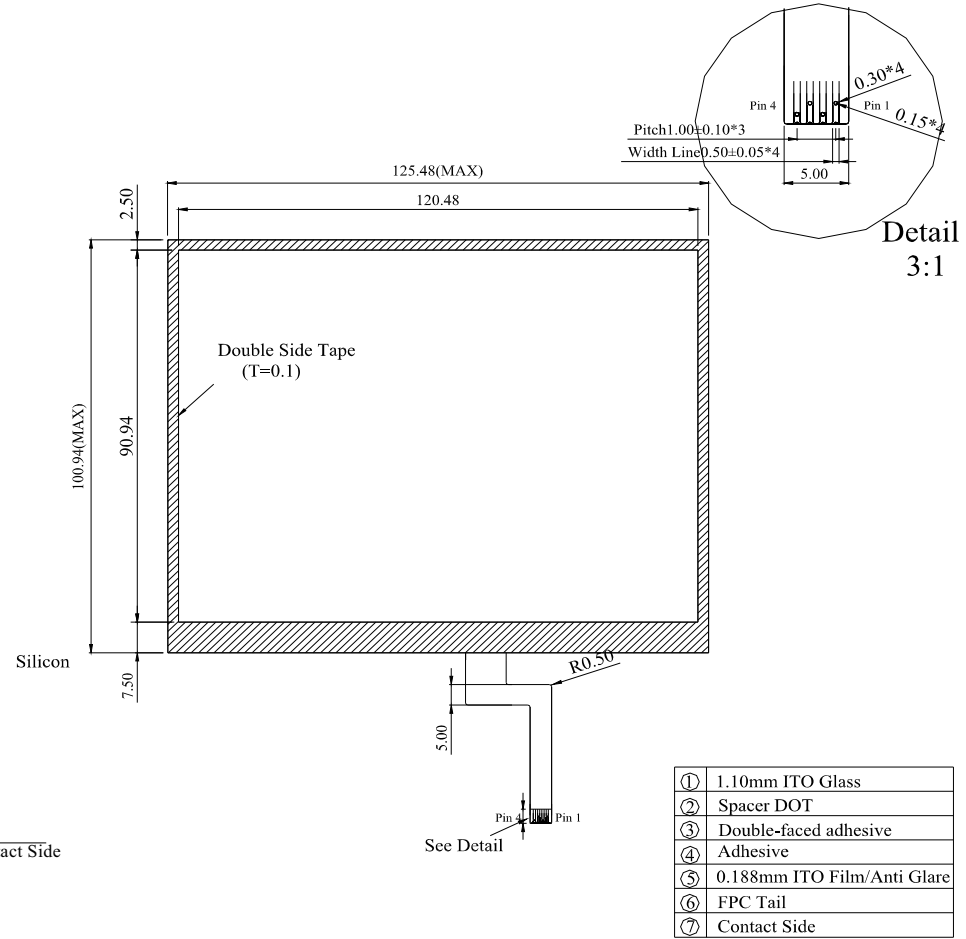
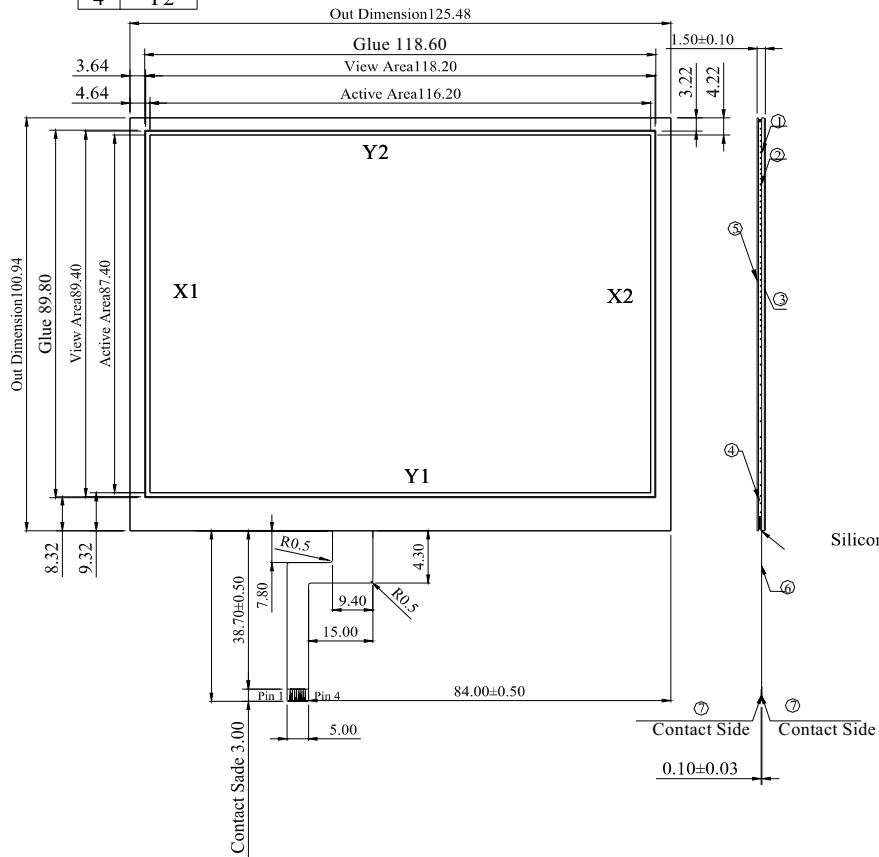
***The test of above being finished, touch screen must satisfy the specification as below:

Resistance between leads :

- (1) Linearity : 1.5%MAX
- (2) Insulation resistance:20MΩ XT.SHX ; MIN. (DC 25V)
- (3) Life time :1000000 TIMES (Min)

PIN OUT	
1	X1
2	Y1
3	X2
4	Y2

PIN1-PIN3	200ohm-900ohm
PIN2-PIN4	200ohm-900ohm



Newhaven LCD Panel Estimate Feedback Sheet

Panel Item Number : _____

1、Panel Specification :

1. Panel Type : Pass NG , _____
2. View Direction : Pass NG , _____
3. Numbers of Dots(Icon) : Pass NG , _____
4. Operating Temperature : Pass NG , _____
5. Storage Temperature : Pass NG , _____
6. Others : _____

2、Mechanical Specification :

1. Dots(Icon) Size : Pass NG , _____
2. VA Size : Pass NG , _____
3. AA Size : Pass NG , _____
4. Outline Dimension : Pass NG , _____
5. Others : Pass NG , _____

3、Summary :

Sales signature : _____

Customer Signature : _____ **Date** : / /