

THIS DRAWING IS UNPUBLISHED.

RELEASED FOR PUBLICATION

© COPYRIGHT -

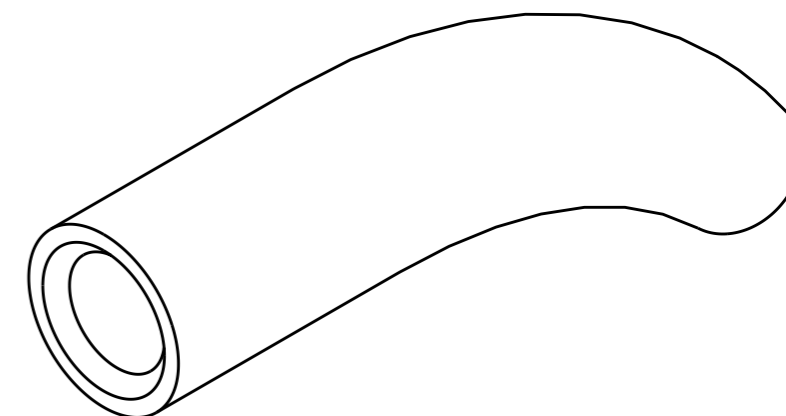
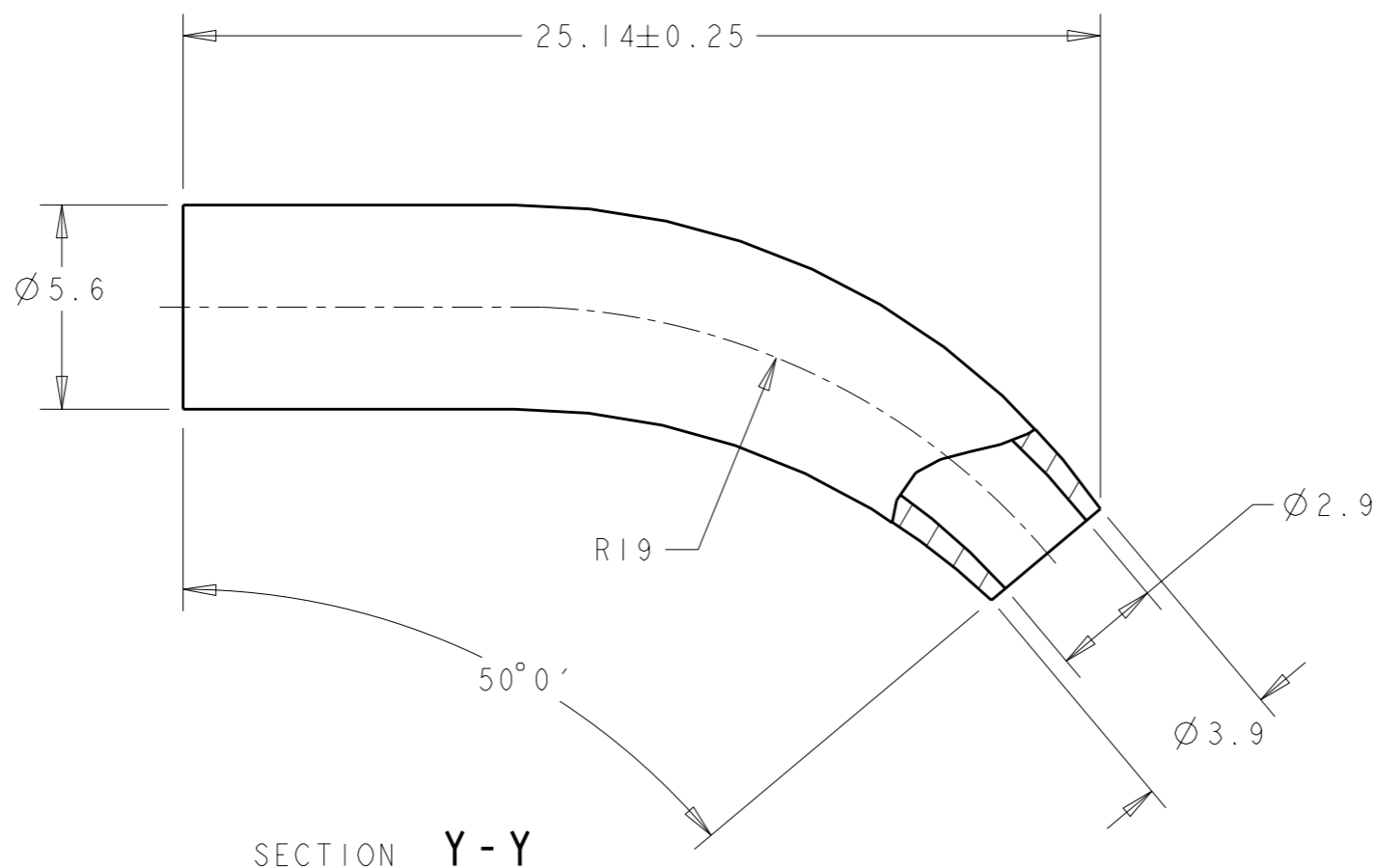
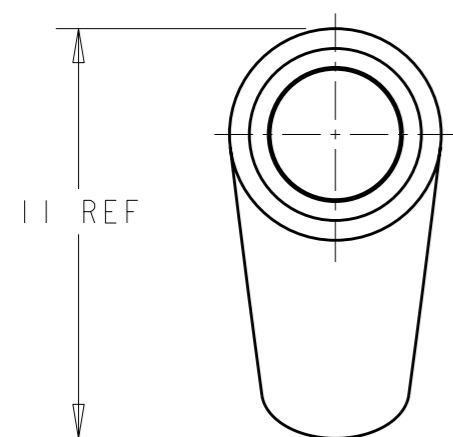
ALL RIGHTS RESERVED.

LOC
HG

DIST
-

REVISIONS


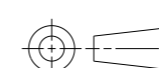
| P | LTR | DESCRIPTION | DATE | DWN | APVD |
|---|-----|---------------------------|-----------|-----|------|
| | D2 | REVISED PER ECO-11-005140 | 16APR2011 | RK | HMR |
| | | | | | |
| | | | | | |



SECTION Y-Y

| | |
|--------|-----------|
| RED | 6457543-8 |
| WHITE | 6457543-7 |
| YELLOW | 6457543-6 |
| GREEN | 6457543-5 |
| BLACK | 6457543-4 |
| BLUE | 6457543-2 |
| BEIGE | 6457543-1 |
| COLOR | PART NO |

1 TPE, UL 94 V-0 RATED AT QUALIFYING THICKNESS, SEE TABLE FOR COLORS.

| | | | | | |
|---|--|-----------------------------------|---|---------------------|---------------------------------------|
| THIS DRAWING IS A CONTROLLED DOCUMENT. | | DWN E. HOPKINS 26 JAN 2005 |  TE Connectivity | | |
| DIMENSIONS: mm | | CHK D. ERDMAN 26 JAN 2005 | | | NAME BOOT, ANGLED, LC 50 DEGREE |
|  | | APVD S. BUCHTER 26 JAN 2005 | | | |
| TOLERANCES UNLESS OTHERWISE SPECIFIED: | | PRODUCT SPEC - | APPLICATION SPEC - | RESTRICTED TO - | |
| MATERIAL 1 | | FINISH - | WEIGHT - | SCALE 5:1 | |
| | | CUSTOMER DRAWING | | SHEET 1 OF 1 REV D2 | |