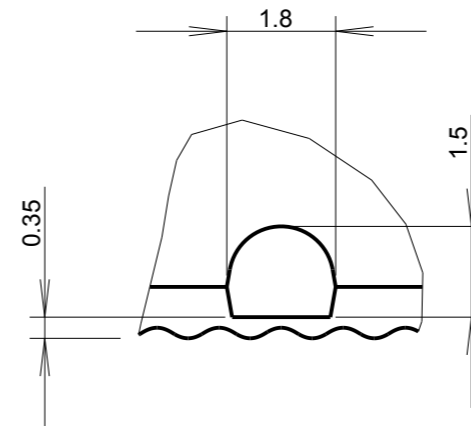
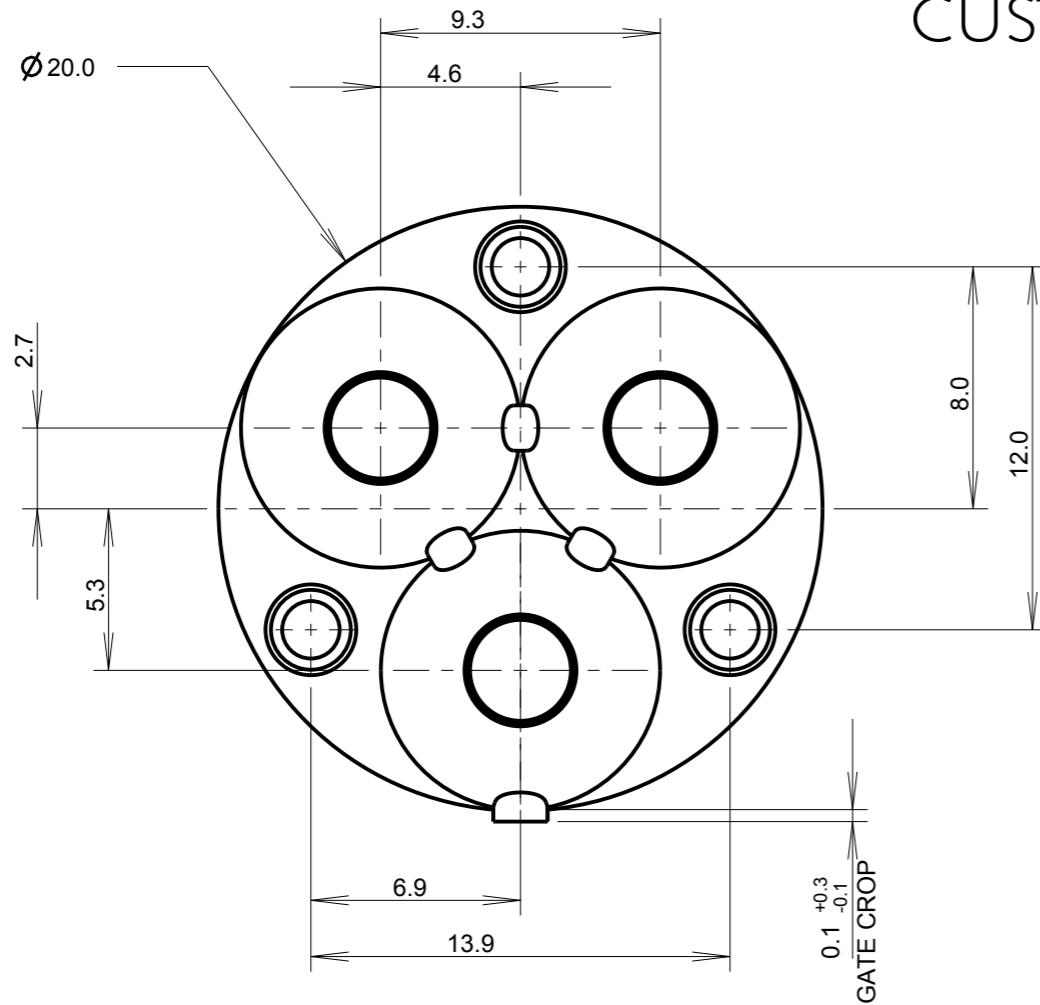
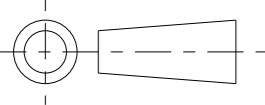
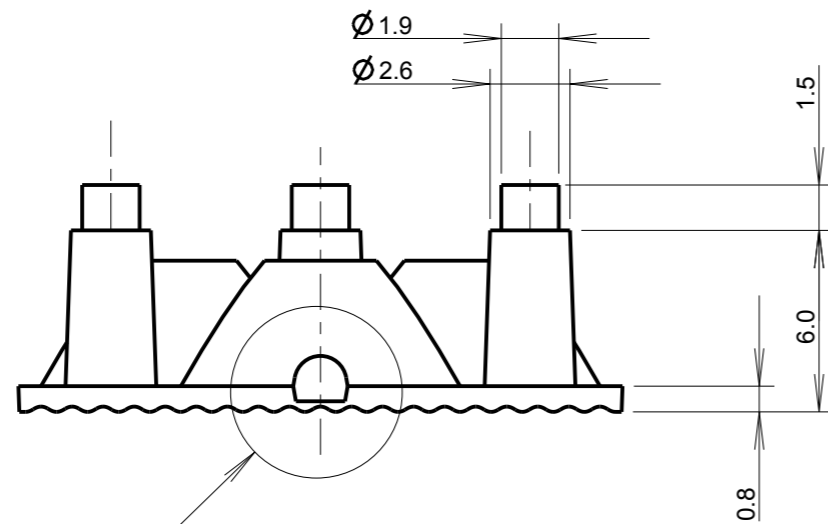


CUSTOMER DRAWING

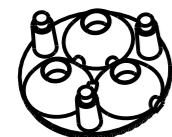
©2011 CTP-COIL
ALL DIMENSIONS IN mm



DETAIL B
SCALE 8:1



SEE DETAIL B



SCALE 1:1

MATERIAL - UV STABILISED CLEAR POLYCARBONATE

ISS.	DATE	E.C.N.	DESCRIPTION
1	22-Oct-08		FIRST ISSUE
2	12-Nov-08	10/08/1233	LEG PIN LENGTH REDUCED TO 15MM
2A	10-Aug-11	08/11/1306	Gate tolerance updated



CARCLO TECHNICAL PLASTICS (SLOUGH)
 103 BUCKINGHAM AVE, SLOUGH
 SL1 4PF, ENGLAND
 TEL: +44 1753 575011 FAX: +44 1753 811359
 email: design@carclo-optics.com

GENERAL TOLERANCES (UNLESS STATED)

LINEAR	ANGULAR
X +/- 0.25	X +/- 1°
X.X +/- 0.1	X.X +/- 0.5°
X.XX +/- 0.05	X.XX +/- 0.1°

CUSTOMER

CARCLO

TITLE

10mm TRIPLE OPTIC
ELLIPTICAL

DRAWN

AJD

DATE

22-Oct-08

CHK'D

PW

DATE

10-Aug-11

APP'D

BB

DATE

10-Aug-11

SCALE

4:1

CARCLO PART No.

10510

SIZE

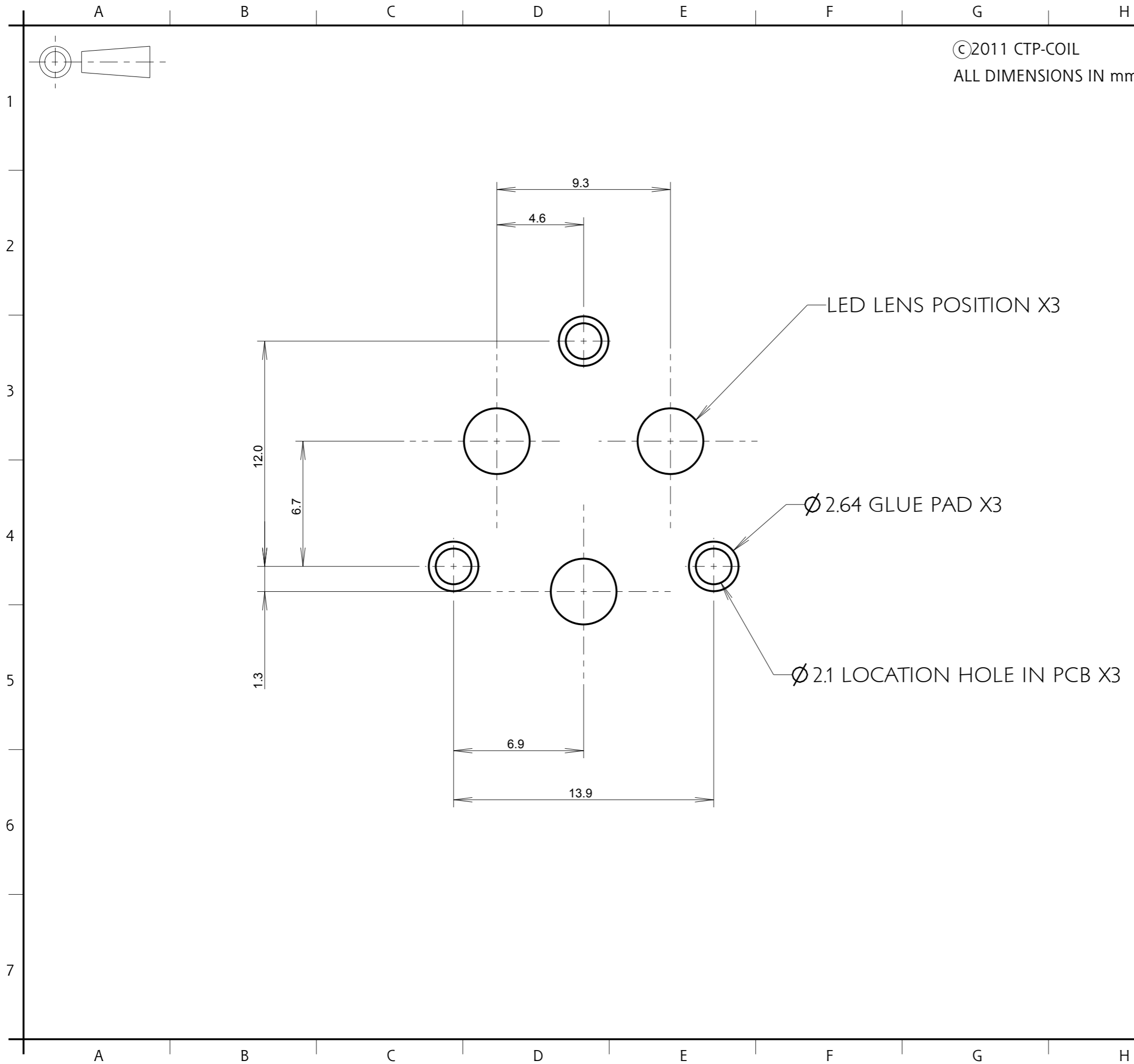
A3

CARCLO DRG. No.

60525

SHEET

2 OF 3



©2011 CTP-COIL
ALL DIMENSIONS IN mm

ISS.	DATE	E.C.N.	DESCRIPTION
1	22-Oct-08		FIRST ISSUE
2	12-Nov-08	10/08/1233	LEG PIN LENGTH REDUCED TO 15MM
2A	10-Aug-11	08/11/1306	Gate tolerance updated


 technical plastics
CARCLO TECHNICAL PLASTICS (SLOUGH)
 103 BUCKINGHAM AVE, SLOUGH
 SL1 4PF, ENGLAND
 TEL: +44 1753 575011 FAX: +44 1753 811359
 email: design@carclo-optics.com

GENERAL TOLERANCES (UNLESS STATED)

LINEAR		ANGULAR	
X	+/- 0.25	X	+/- 1°
X.X	+/- 0.1	X.X	+/- 0.5°
X.XX	+/- 0.05	X.XX	+/- 0.1°

CUSTOMER	CARCLO
----------	--------

TITLE	10mm TRIPLE OPTIC ELLIPTICAL
-------	------------------------------

DRAWN	AJD	DATE	22-Oct-08
-------	-----	------	-----------

CHK'D	PW	DATE	10-Aug-11
-------	----	------	-----------

APP'D	BB	DATE	10-Aug-11
-------	----	------	-----------

SCALE	5:1	CARCLO PART No.	10510
-------	-----	-----------------	-------

SIZE	A3	CARCLO DRG. No.	60525	SHEET	3 OF 3
------	----	-----------------	-------	-------	--------