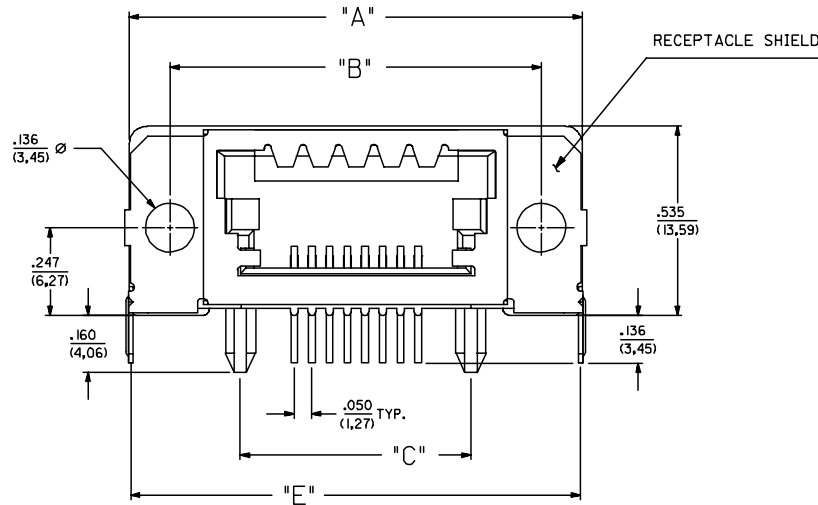
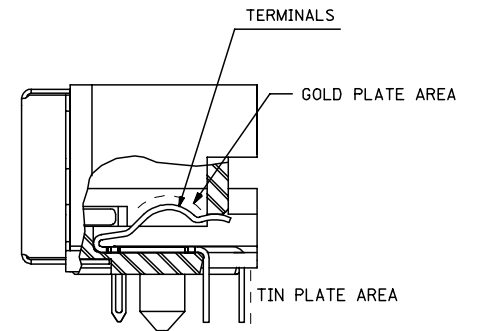
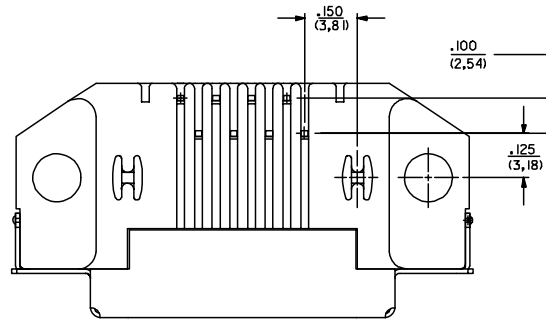
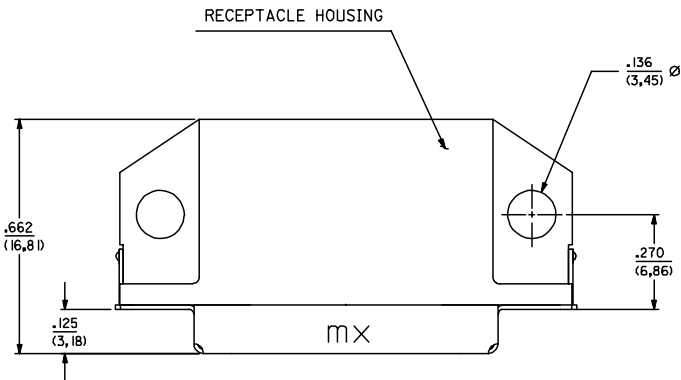


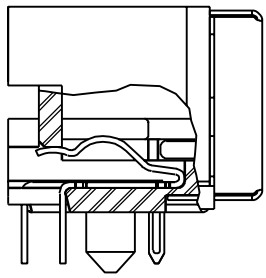
NON-KEYED VERSION A-71355-30**		KEYING OPTION "1" A-71355-31**		KEYING OPTION "2" A-71355-32**		CKT. SIZE	DIM. "A"		DIM. "B"		DIM. "C"		DIM. "D"		DIM. "E"	
E.D.P. NUMBER	ENG. NUMBER	E.D.P. NUMBER	ENG. NUMBER	E.D.P. NUMBER	ENG. NUMBER		MM	IN.	MM	IN.	MM	IN.	MM	IN.	MM	IN.
015-83-0304	A-71355-3004	015-83-0334	A-71355-3104	015-83-0354	A-71355-3204	4	27,30	1.075	21,59	.850	11,43	.450	3,81	.150	27,25	1.073
015-83-0306	A-71355-3006	015-83-0336	A-71355-3106	015-83-0356	A-71355-3206	6	29,84	1.175	24,13	.950	13,97	.550	6,35	.250	29,79	1.173
015-83-0308	A-71355-3008	015-83-0338	A-71355-3108	015-83-0358	A-71355-3208	8	32,38	1.275	26,67	1.050	16,51	.650	8,89	.350	32,33	1.273
015-83-0316	A-71355-3016	015-83-0346	A-71355-3116	015-83-0366	A-71355-3216	16	42,54	1.675	36,83	1.450	26,67	1.050	19,05	.750	42,49	1.673

- NOTES: 1. FOR ILLUSTRATION PURPOSES AN 8 CIRCUIT ASSEMBLY IS SHOWN.
2. MATERIAL:  
 HOUSING: GLASS FILLED LIQUID CRYSTAL POLYMER (LCP), UL94 V-0, COLOR: BLACK.  
 SHIELD: BRASS WITH (2.54 MICROMETER)/100 MICROINCH MINIMUM BRIGHT TIN OVER NICKEL.  
 CONTACTS: PHOSPHOR BRONZE  
 SELECTIVE GOLD (Au) IN THE CONTACT AREA:  
 THICKNESS=(1.27 MICROMETER)/50 MICROINCH MINIMUM;  
 SELECTIVE TIN IN THE PC TAIL AREA:  
 THICKNESS=(2.54 MICROMETER)/100 MICROINCH MINIMUM;  
 NICKEL (Ni) UNDERPLATE OVER ENTIRE PIN.
3. ASSEMBLIES ARE PACKAGED PER SPEC PK-70873-0008.  
 4. PRODUCT SPEC IS PS-71350-A.  
 5. APPLICATION SPEC IS AS-71355.

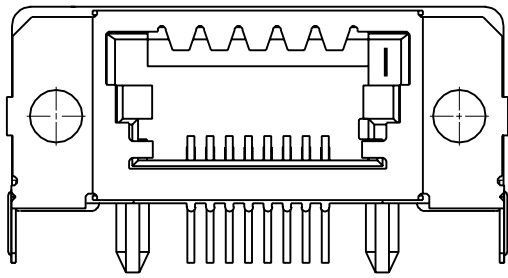


**NON-KEYED VERSION SHOWN**

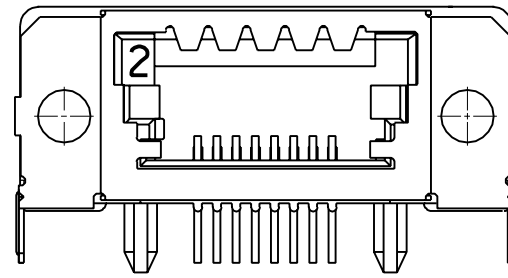
<b>ROHS COMPLIANCE</b> EC NO: E2007-0364 DRAWN BY: DRW/NEIBYRNES CHKD: 2006/11/24 APPR: EOMAHONY 2006/11/27	QUALITY SYMBOLS ▽=0 ▽=0	GENERAL TOLERANCES (UNLESS SPECIFIED)		DIMENSION STYLE <b>MM ONLY</b>	SCALE <b>4:1</b>	DESIGN UNITS <b>METRIC</b>	THIRD ANGLE PROJECTION	
		4 PLACES ± --- ± ---	mm INCH	DRAWN BY J. LONG	DATE 1985/11/02	TITLE <b>SALES ASSEMBLY</b>		
		3 PLACES ± --- ± .010		CHECKED BY BIXLER	DATE 1985/11/02	MOLEX INCORPORATED		
		2 PLACES ± 0.25 ± .014 1 PLACE ± 0.36 ± --- ANGULAR ± 1/2°		APPROVED BY IT	DATE 1985/11/02	MATERIAL NO. SDA-71355-3*** DOCUMENT NO.		
DRAFT WHERE APPLICABLE MUST REMAIN WITHIN DIMENSIONS		SEE CHART		SHEET NO. 1 OF 2		THIS DRAWING CONTAINS INFORMATION THAT IS PROPRIETARY TO MOLEX INCORPORATED AND SHOULD NOT BE USED WITHOUT WRITTEN PERMISSION		



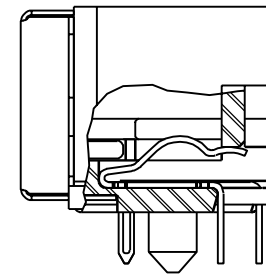
KEYING OPTION "1"



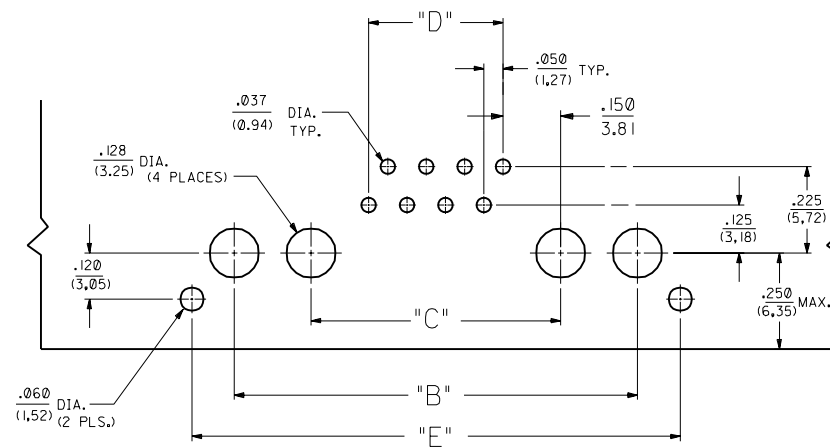
A-71355-31\*\*



KEYING OPTION "2"



A-71355-32\*\*



RECOMMENDED P.C.B. LAYOUT

RECEPTACLE SIDE SHOWN

H	SEE SHEET I
G	SEE SHEET I
F	SEE SHEET I
D	SEE SHEET I
C	SEE SHEET I
B	SEE SHEET I
A	SEE SHEET I
2	SEE SHEET I

DIMENSIONS SHOWN (METRIC) INCH		= 0		= 0		REVISE ONLY ON CAD SYSTEM	
UNLESS OTHERWISE SPECIFIED TOLERANCES ANGULAR $\pm 1/2^\circ$							
3 PLACE $\pm$		INCH		METRIC			
2 PLACE $\pm$							
1 PLACE $\pm$							
DRAWING WHERE APPLICABLE MUST REMAIN WITHIN DIMENSIONS							
DRAWN BY: J L		CHK'D BY: BIXLER		FILE NAME: S71355K3 PCB		SEE CHART	
APP'D BY: IT		SCALE: 4 : 1		PART NO.: 71355		DRWG. NO.: SDA-71355-3***	
MFG. SH.		REV.		LTR.		REVISIONS	
MOLEX INCORPORATED		SHEET NO. 2		DATE 02/11/85		U.S.A.	
L15LEJLL 60532		U.S.A.					
THIS DRAWING CONTAINS INFORMATION THAT IS PROPRIETARY TO MOLEX INC. AND SHOULD NOT BE USED WITHOUT WRITTEN PERMISSION.							

71355