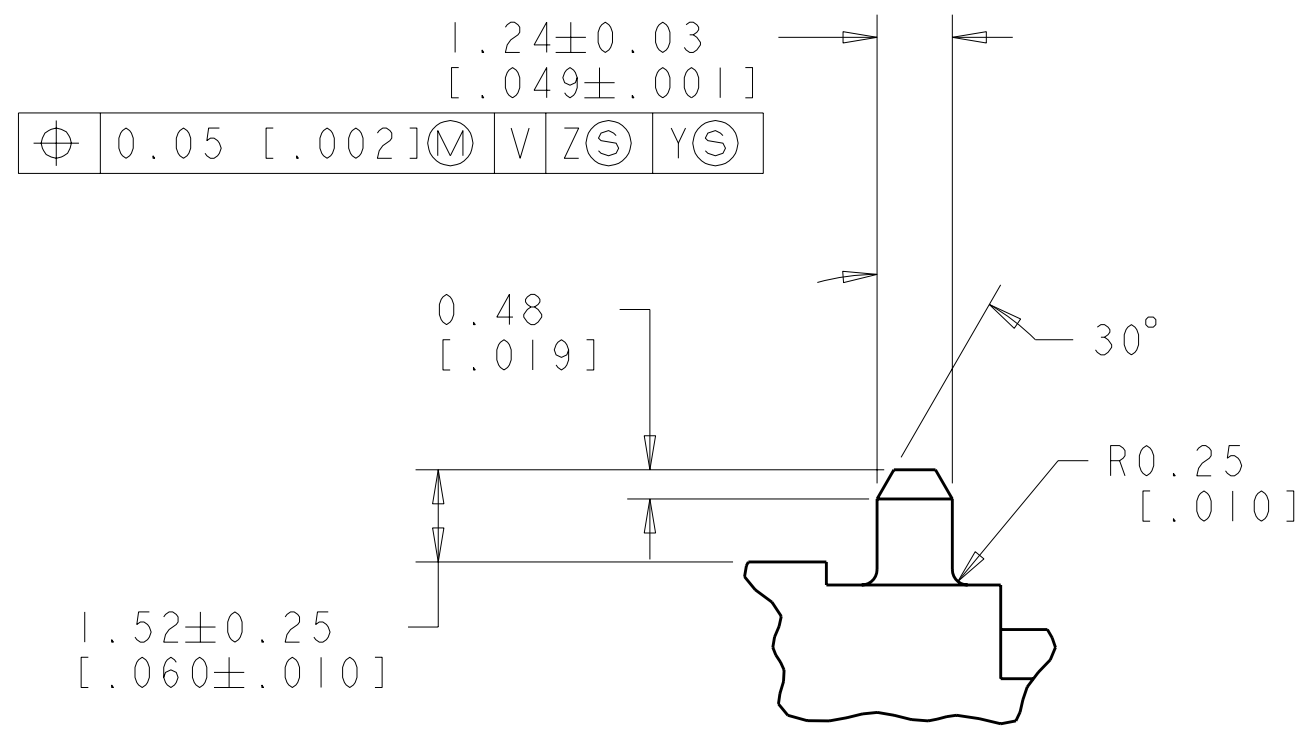
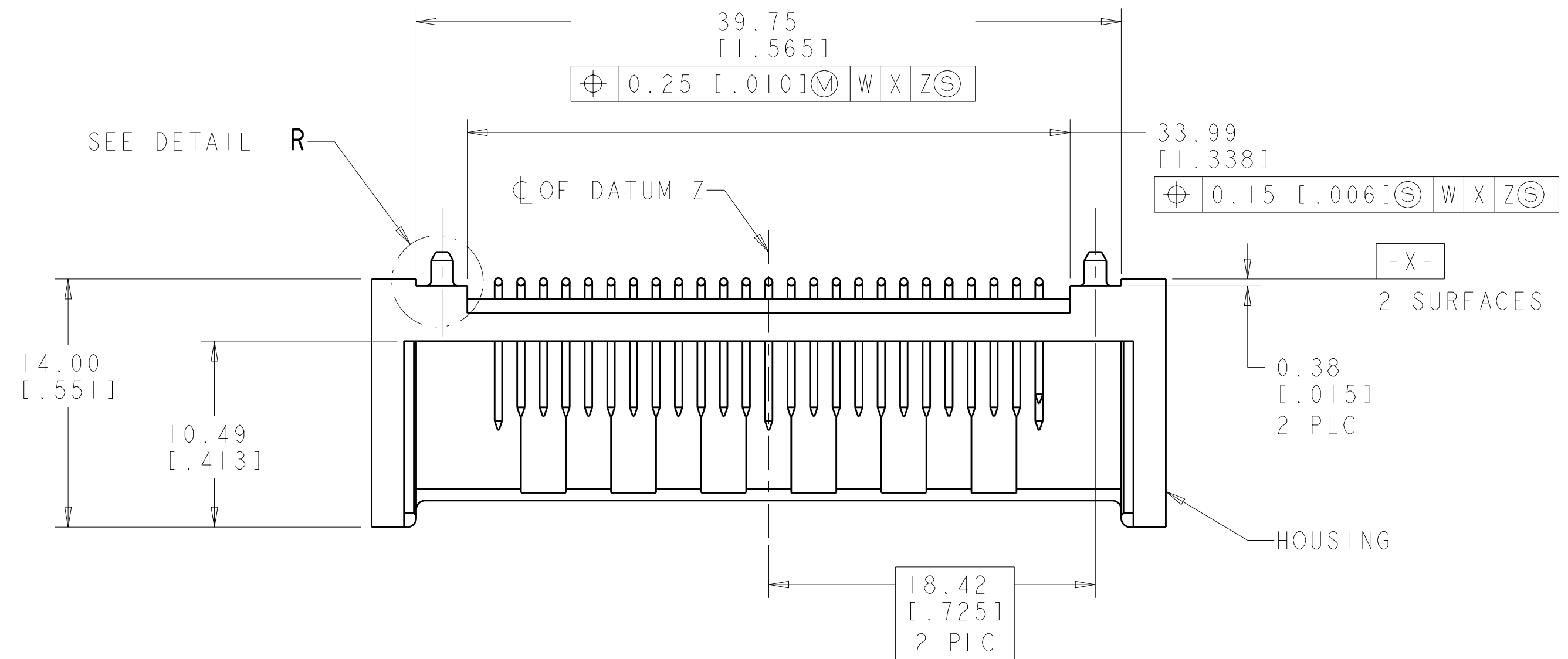
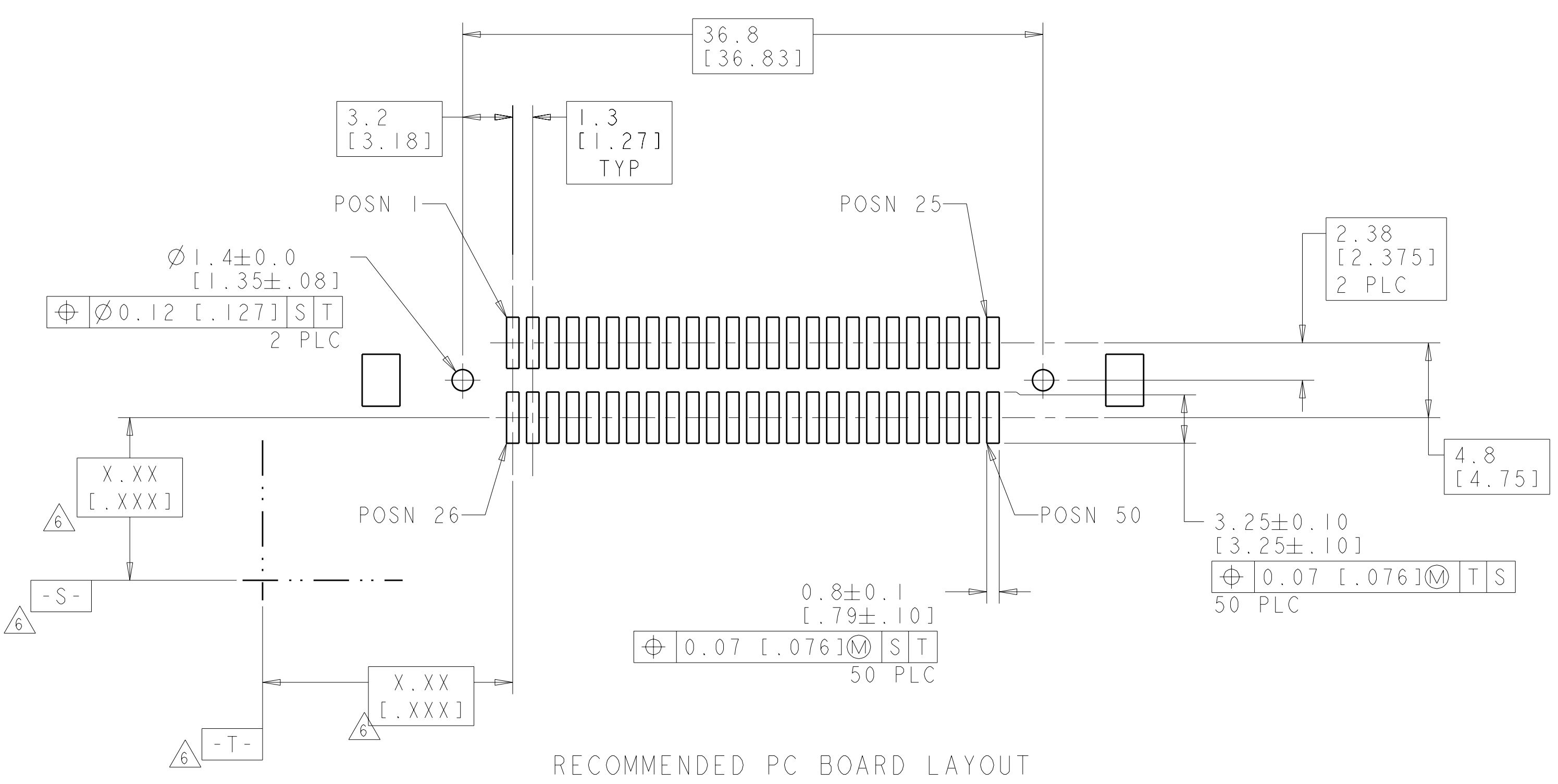
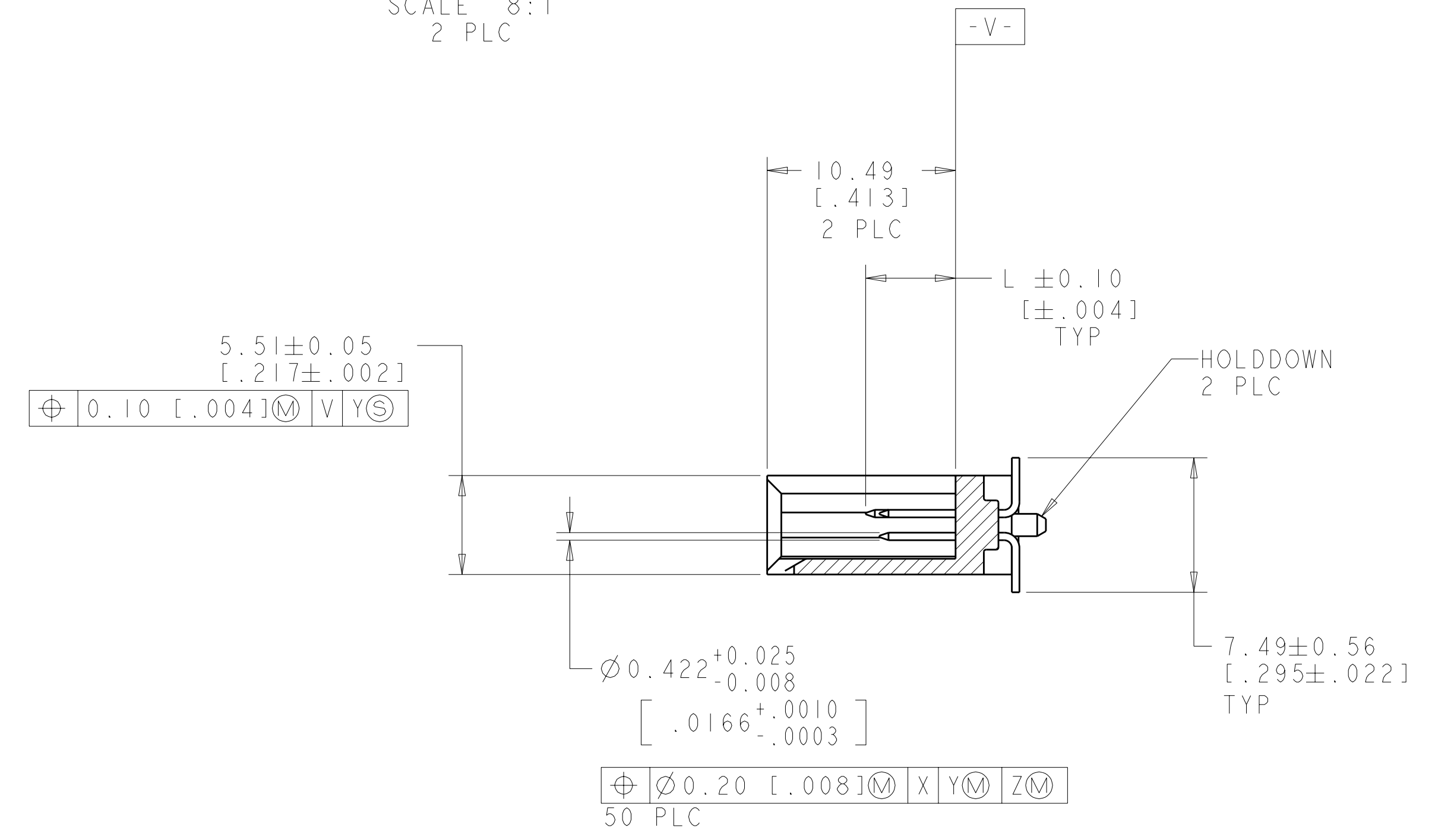
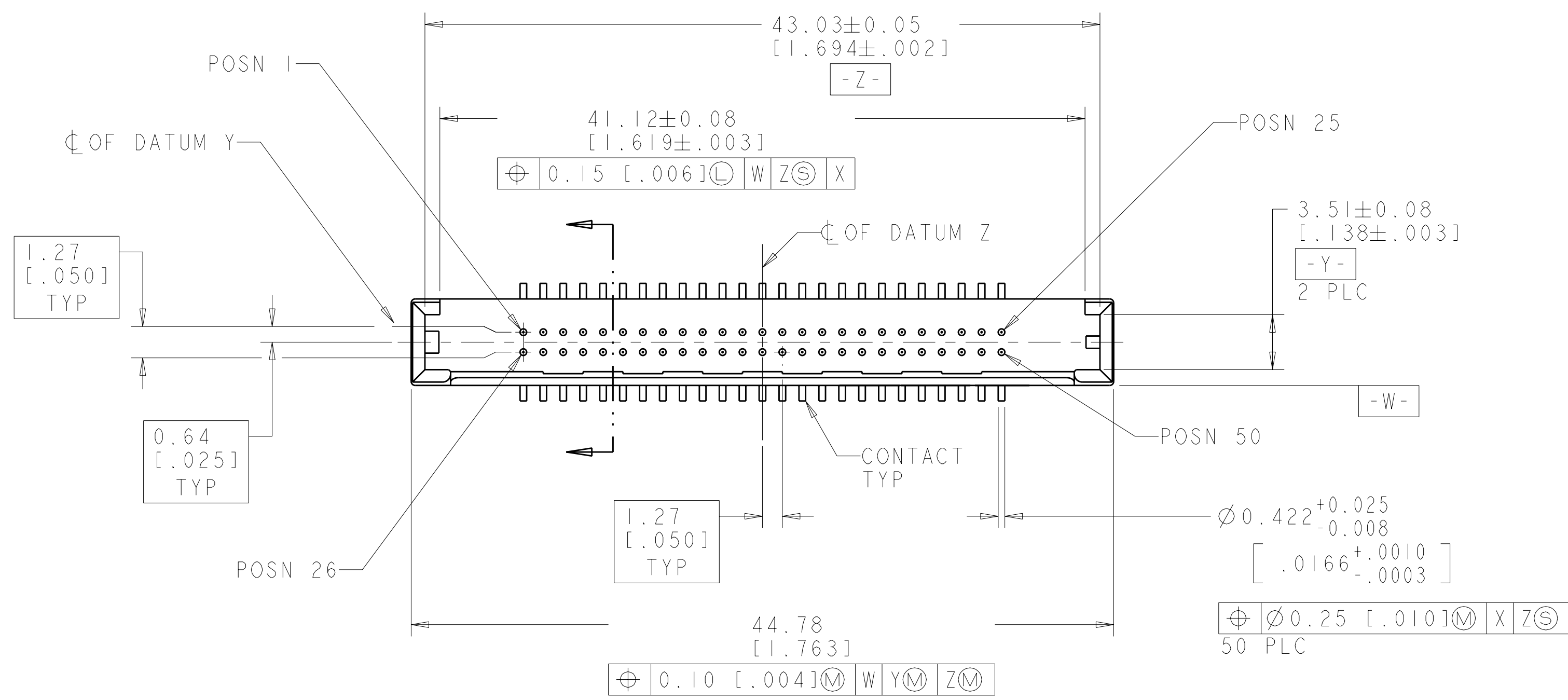


LOC	DIST	REV	DATE	BY	APP'D
GP	00	A	17 JUL 2009	CR	DG
		A1	30 JUN 2010	CJV	DLG



DETAIL R
SCALE 8:1
2 PLC



- 1 HOUSING: POLYESTER LCP, BLACK. CONTACTS: BRASS.
- 2 CONTACTS: 0.76 μm [0.000030] MIN GOLD FOR A LENGTH OF 3.51 [0.138] MIN IN CONTACT AREA, 3.81 μm [0.000150] MIN TIN-LEAD FOR A LENGTH OF 2.0 [0.079] MIN ON SOLDER TAILS, ALL OVER 1.27 μm [0.000050] MIN NICKEL.
- 3 DIMENSION APPLIES TO POSITIONS 25 AND 26.
- 4 DIMENSION APPLIES TO POSITIONS 2 THRU 12, 14 THRU 24, 27 THRU 37 AND 39 THRU 49.
- 5 DIMENSION APPLIES TO POSITIONS 1, 13, 38 AND 50.
- 6 DATUMS AND BASIC DIMENSIONS ESTABLISHED BY CUSTOMER.

5.00 [0.197] 5	4.24 [0.167] 4	3.51 [0.138] 3	788643-1
L			PART NUMBER

DIMENSIONS: mm [INCHES] TOLERANCES UNLESS OTHERWISE SPECIFIED: 9 PLC ± 1 PLC ±0.13 [0.005] 5 PLC ± 4 PLC ± ANGLES ±0°		DWN: D. HARDY 29MAR99 CHK: C. OBERMAN 05APR99 APVD: M. PERCHERKE 05APR99 PRODUCT SPEC: 108-1469 APPLICATION SPEC: WEIGHT: CUSTOMER DRAWING	Tyco Electronics Harrisburg, PA 17105-3608 NAME: PIN HEADER ASSEMBLY, VERTICAL, 50 POSITION, SURFACE MOUNT, CompactFlash SIZE: CAGE CODE DRAWING NO: A100779C=788643 RESTRICTED TO:
MATERIAL: 1 FINISH: 2		SCALE: 4:1 SHEET: 1 OF 1 REV: A1	